

# Nanodrop II and Nanodrop Express

## LOW VOLUME AUTOMATED PIPETTING

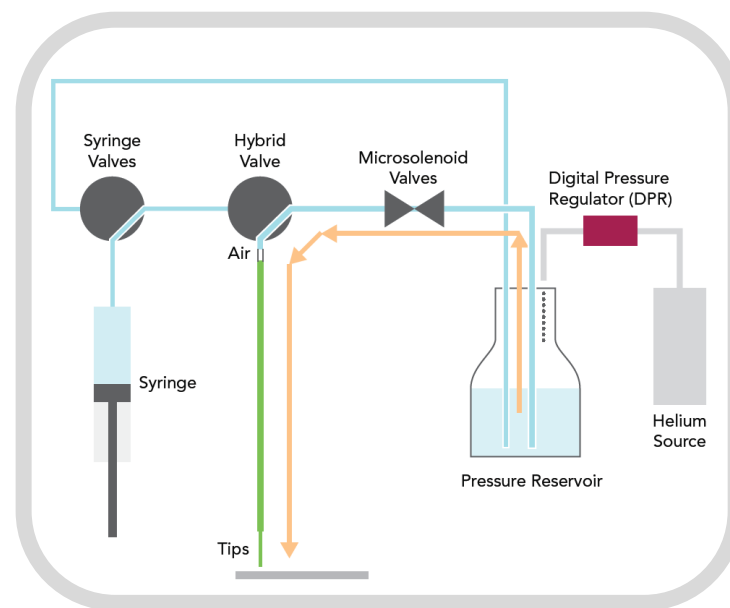
- *Low volume (100 nL and above), high-precision dispensing*
- *Aspirate and dispense with individual channel volume control*
- *Capable of dispensing a different volume into every well*
- *Pipette up to 8 or 16 reagents simultaneously*
- *Valve-free flow path*



Nanodrop II

For a complete high-throughput solution for low-volume, high-precision pipetting, try the 8-channel Nanodrop II or the 16-channel Nanodrop Express. Each system has interchangeable, fixed-tip heads (1x8 or 2x4 configurations for the Nanodrop II and 1x16 or 2x8 configurations for the Nanodrop Express) and comes with two plate positions that enable applications such as assay miniaturization, DNA normalization, method development, PCR and NGS reaction setup, or protein crystallography.

The Nanodrop technology aspirates and dispenses a broad range of liquids, including DMSO, and features the Nanobuilder software system that enables a wide range of applications and data manipulation. This patented technology isolates the solenoid dispense actuators from the sample path to assure long life and easy, lowcost maintenance — even with regular use of difficult suspensions such as proteins, cells and YOx beads.



Simple Flow Path increases Reliability

## Key Features and Benefits

- Sample transfer and bulk reagent addition on the same platform
- Aspirate and dispense with individual channel volume control
- Interchangeable 1x8 to 2x4 head; or, 1x16 to 2x8 heads
- Micro solenoid valves for fast, precise low-volume applications and mixing
- Exceptional dynamic range (nanoliter to milliliter)
- Valve-free fluid path for outstanding reliability
- FEP, SS, sapphire wetted parts compatible with commonly used solvents
- 96-, 384- and 1536-well plate formats, irregular and flat plate formats supported
- Deep well and crystallography plates supported
- Easy to program, easy to automate
- Simple cleaning and maintenance

## Applications

- PCR template and cocktail additions
- DNA normalization
- Assay miniaturization
- Serial dilution
- Cell plating
- Sample transfer
- Bulk reagent addition
- Protein crystallography screens
- MALDI plate spotting

## Performance Specifications

<b>Dispense Range:</b>	Microsolenoids: 0.1–80 µL Syringe: 5–500 µL
<b>Aspirate Range:</b>	500 µL Syringe: 0–500 µL 1000 µL Syringe: 0–1000 µL
<b>Dispense Precision :</b>	≤ 10% at 100 nL ≤ 7% at 200 nL ≤ 5% at 1 µL
<b>Residual Volume:</b>	< 3 µL /channel

## General Specifications

Nanodrop II	
<b>Number of Channels</b>	8
<b>Dimensions</b>	13" H x 11" W x 18" D
<b>Weight</b>	25 pounds
<b>Automation Control</b>	.NET DLL components
<b>Interface</b>	RS-232 connectivity, Nanobuilder software

Nanodrop Express	
<b>Number of Channels</b>	16
<b>Weight (shipping)</b>	13" H x 22" W x 18" D
<b>Weight</b>	50 pounds
<b>Automation Control</b>	.NET DLL components
<b>Interface</b>	RS-232 connectivity, Nanobuilder software

For Research Use Only. Not for use in diagnostic or therapeutic procedures.

LIT-50004 Rev A Effective 2015-02



**BioNex Solutions, Inc.**  
2340 Bering Drive  
San Jose, CA 95131  
(408) 855-8863  
info@bionexsolutions.com

[www.bionexsolutions.com](http://www.bionexsolutions.com)

©2015 BioNex Solutions Inc.